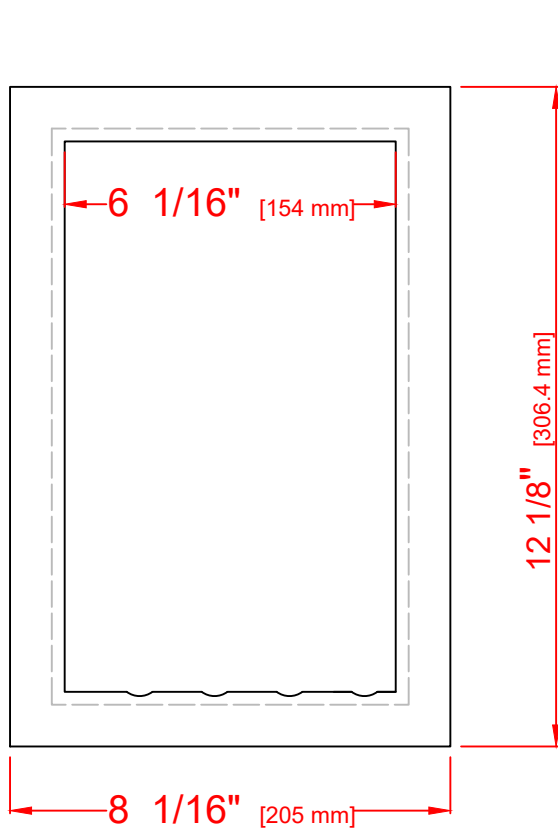
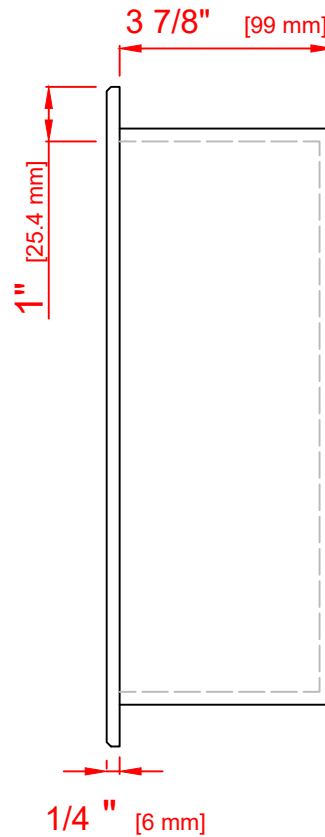


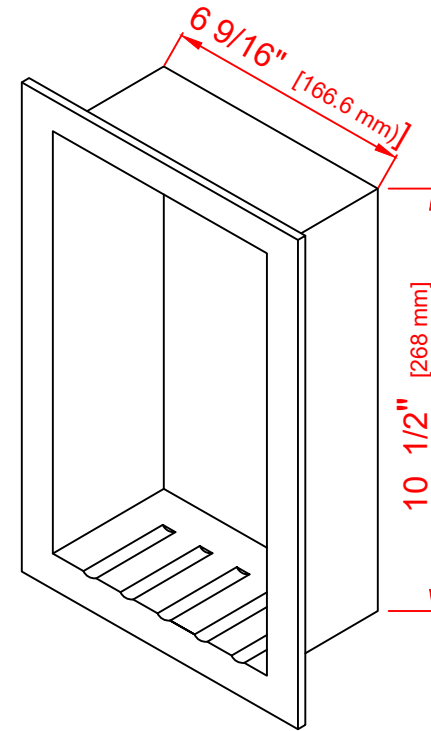
Rev #			
Rev #			



FRONT View



SIDE View



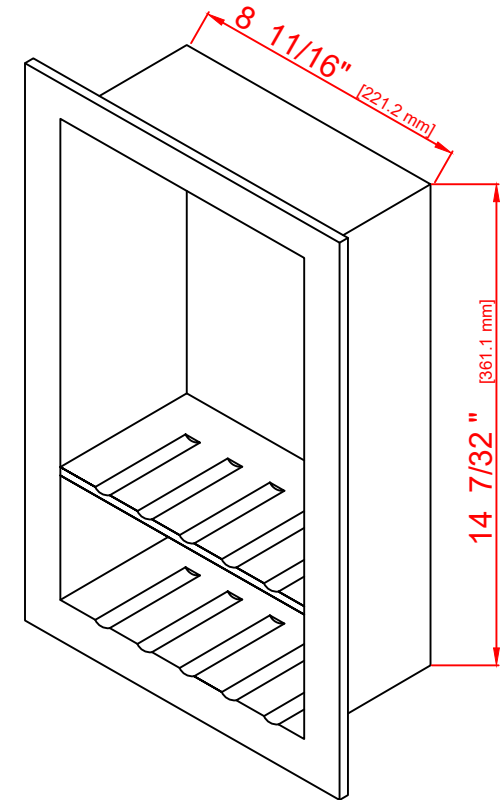
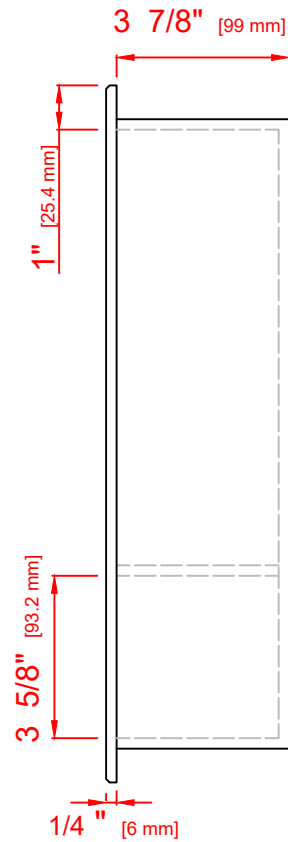
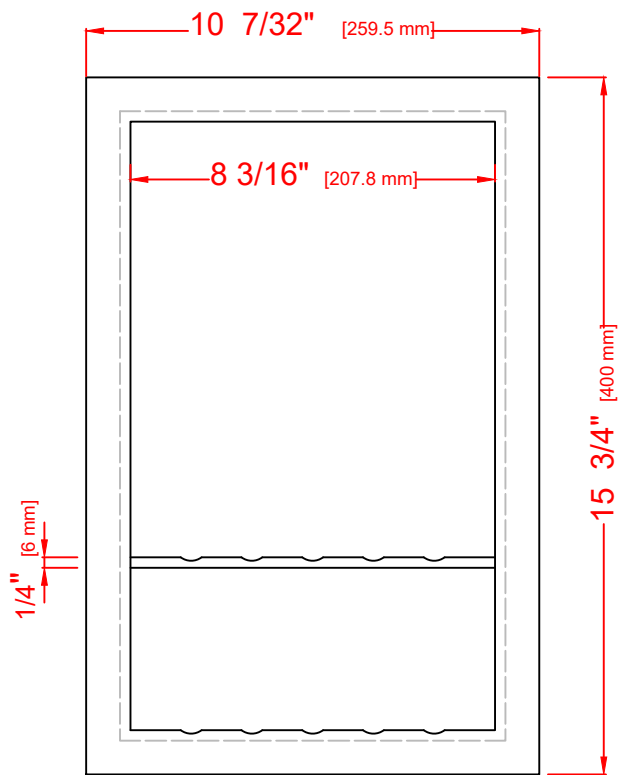
Isometric

Note: These sizes have a tolerance of (+, -) 1/16" (+,- 1.5 mm)



Part Number:	NICHE1		
Description:	Shower accessories NICHE 1		
Date Drawn:		Weight:	3.295 lb
		Scale:	None
Costumer Approval:	Date:	Drawn By:	Alfonso Romero
		Revised By:	
Parth: @Engineering\		Approved:	Richard Conde
		Date Revised:	05/17/2024

Rev #			
Rev #			



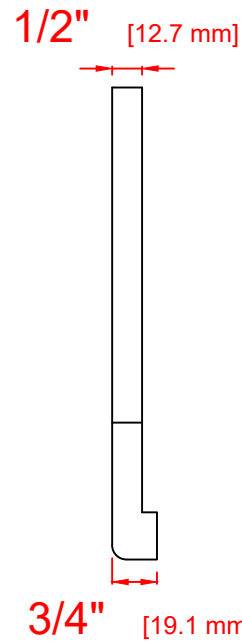
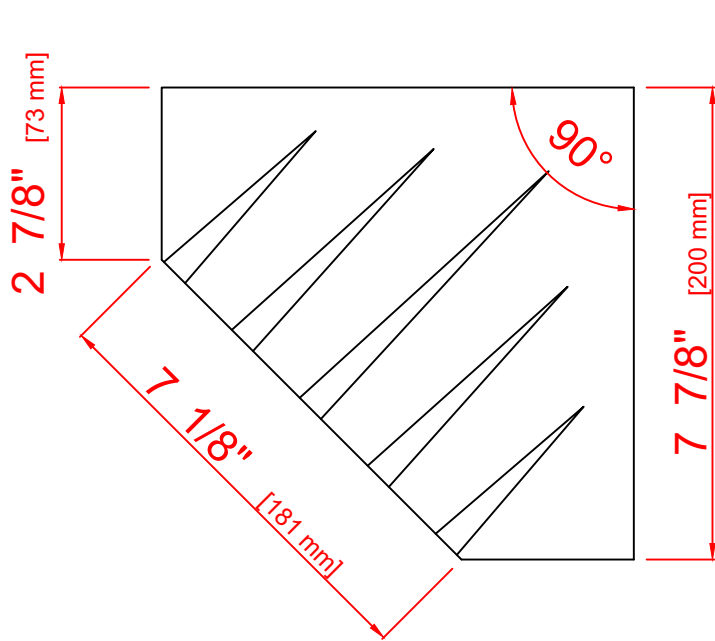
Note: These sizes have a tolerance of (+, -) 1/16" (+, - 1.5 mm)



Part Number:					
Description:	Shower accessories NICHE 2				
Date Drawn:		Weight:	5.555 lb	Scale:	None
Drawn By:	Alfonso Romero		Revised By:		
Approved:	Richard Conde		Date Revised:	05/17/2024	

Customer Approval:	Date:
Parth: @Engineering\	

REV #			
REV #			



Note: These sizes have a tolerance of (+, -) 1/16" (+, - 1.5 mm)



Part Number:	CORSHELF1		
Description:	CORNER SHELF		
Date Drawn:	1.653 lb	Scale:	None
Drawn By:	Alfonso Romero	Revised By:	
Approved:	Richard Conde	Date Revised:	05/17/2024

Customer Approval:	Date:
Part: @Engineering\	